

payter®



Unattended. Reimagined.

Introducing Apollo and ApolloMax

PIN Entry

ENTER PIN
 ● ● ● ●

1	2	3
4	5	6
7	8	9
X	0	→

PCI 6.x Certified
Secure Cardholder Authentication

Camera
Proximity Sensor

QR Code reader

Network Settings
 Local WIFI Mesh

Payter_Guest
Connected

Payter
WPA2 Encrypted

KPN Fon
Open

Submit

WIFI 4G LTE LAN

Customise Create your own application

Small Footprint

107.2mm
83.2mm

Welcome.
Start

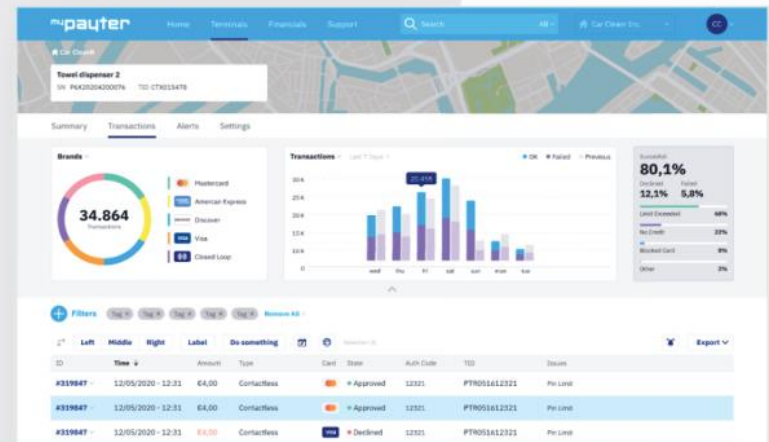
IK09 Vandal Proof

Welcome.
Start

Always up to date

Terminal Management System

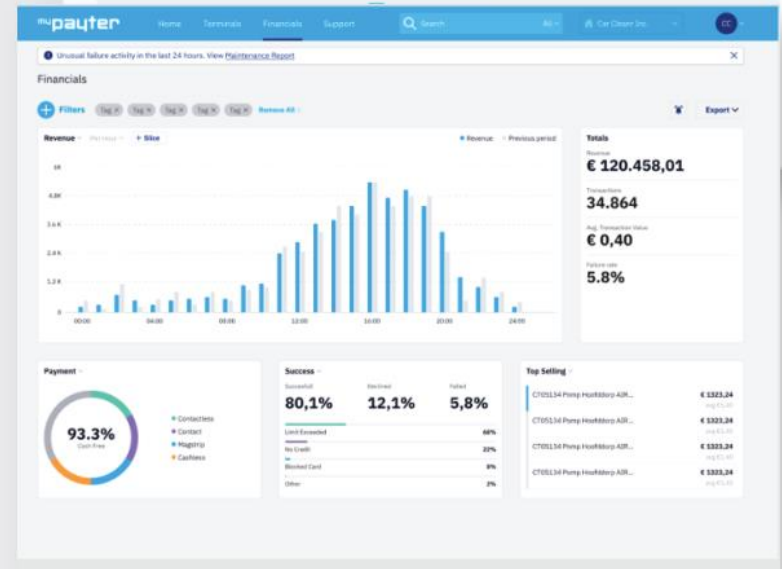
- Remote management of large estates of Payer Terminals
- Efficient deployment through **Remote Key Injection**, configuration, updates and payment device firmware
- **Future proof system** in which changes in functionality can be applied easily, safely, and quickly, while reducing the Cost of Ownership.
- Continued **EMV compliance**
- Avoid expensive **Visits**
- Simplification of the logistics processes
- Easy **roll-out** process
- Easy addition of new services



Always in the loop

Real-time Information

- Reporting of revenue including Cashless, Closed Loop (RFID) and Cash Transactions
- Product Sales Data
- Detailed monitoring of connections and errors
- Full control over your estate of terminals
- Free of Charge API available for direct download of the sales data into your ERP or Telemetry system



Always in control

Telemetry

Payer Telemetry enables you to remotely monitor your machines by continually providing fresh data about:

- Product movement,
- Cash inventory and
- The physical condition of the machines.
- Transaction reporting for easy reconciliation

Apollo



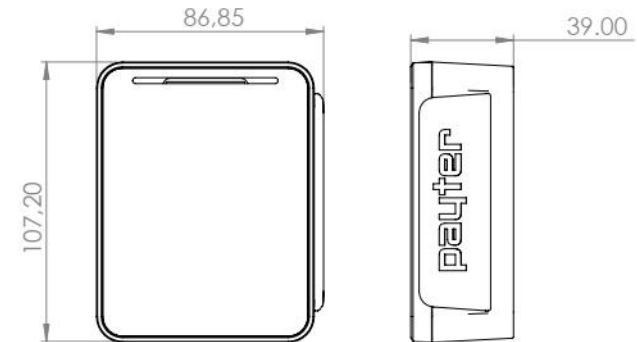
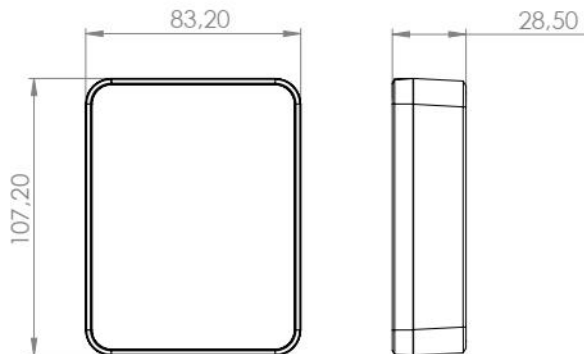
Enhanced Performance
Reduced Footprint

- Ultra Slim
- 3.5" Touch Screen
- 4G, WiFi, BlueTooth, LAN, Serial, USB
- QR Code/Barcode scanner
- Speaker / proximity sensor
- EMV
- Plug & Play
- Loyalty & Closed loop systems
- Telemetry
- Remote management via on-line back-office
- Advertising
- Vandal Proof, Robust, Waterproof
- Low power
- Supports PIN entry
- PCI 6.x
- Linux based
- Mounting behind glass front possible
- EVA mounting

ApolloMax



Powerful Features
Increased Convenience



Technical Specifications

Contactless Interface	EMVCo. L1 v3.0 Certified ISO14443 Type A & B (T=CL) Mifare Classic protocol Desfire protocol ISO18092: Support NFC Protocol	Operating Distance	Depending on the card/token up to 10 cm from Reader
Contact Card Interface^{*2}	EMV L1 v4.3 Certified	Compliances	CE, FCC, RoHS, WEEE EMVCo, PCI-PTS 6.x MasterCard, VISA, American Express, Discover, Diners
Integrated MSR^{*2}	3 Track	LED indicators	4 RGB LEDs
CPU	ARM Cortex A7 Core Operating at 528MHz with ARM TrustZone technology	Display	3.5" IPS LCD Display, 320x480 with Backlight 256K Color palette, Capacitive Touch screen interface
Memory	256 MB, DDR3-800 8GB eMMC, high-speed DDR	Barcode Reading	Integrated camera supporting QR code scanning
Peripheral ports	USB Type C, dual role port capable of powering expansion modules.	Audio	Internal speaker, Mono audio playback. Buzzer
Communication ports	RJ45 connector, Ethernet (100BASE TX, 10base-10) network port IEEE802.11b/g/n W-LAN GSM/GPRS/LTE CAT 1 MODEM (optional) GNSS, (GPS) support with modem	Integrated Sensor	Ambient Light sensor Proximity Sensor
Expansion modules (optional)	Pulse I/O Expansion Module RS232 interface Extension Module	Dimensions	European Vending Association Compliant Frame Apollo 83.2 x 107.2 x 28.5 mm (LxWxH) ApolloMax 86.5 x 107.2 x 39.5 mm (LxWxH)
Environmental	Operating temperature -20 - 55°C Storage Temperature -20 - 70°C Humidity 10 – 90% RH Non-condensing Apollo IP 65 Front ApolloMax IP 50 Front IK 09 Vandal proof	Color	Black, White
		Power Supply	110 – 230 VAC, Power Supply with 1.5m cable. MDB port 12–24VDC

^{*2}ApolloMax only

All information provided here is subject to changes without notice. All information contained in this document is provided "AS IS"; Payter assumes no responsibility for its accuracy and/or completeness. Copyright ©Payter 2022

Payments Made Easy



Improve user experience and increase acceptance with our Apollo unattended terminals. Based on a secure Linux platform with an integrated PIN pad, 4G Modem, Barcode Scanner and flexible integration options.



CARWASH



PARKING



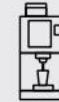
EV CHARGING



TRANSIT



VENDING



COFFEE



KIOSK



CHARITY

Personal advice

It is our pleasure to provide you with personal advice. Please contact your local representative or contact us at sales@payter.com

We are Payter

Payter is a Global Payment Technology company head-quartered in Rotterdam providing diverse and innovative end-to-end payment solutions to the unattended markets. Our portfolio of solutions is focussed on the unattended market driving user experience, innovation and technology. Payter offers a unique payment platform, combining payments, with private loop cards, loyalty and telemetry.

In House Development

A team of highly skilled, innovative developers guarantee state-of-the-art products, customized to the various markets in which Payter operates. The unique combination of all disciplines of product development under one roof: Hardware, Software and Mechanical, allows Payter to tailor products and solutions to the market needs with a very short time-to-market. The Payter security experts ensure safe, reliable and future-oriented solutions compliant with the highest standards.



+31 (0)8 54 01 23 80 | +44 1296 840000 | sales@payter.com | www.payter.com