



The Payter P65 Vending Unit is the latest development built specifically for the vending machine market, meeting the special needs and requirements for low cost versatile vending units for contactless and mobile transactions.

Benefit from sophisticated, leading edge technology of the Payters' multifunctional hardware platform based upon a powerful ARM processor enabling multiple applications and ensuring future scalability. With its onboard Ethernet connection and interfaces for serial, USB, MDB and GSM/GPRS communication is the P65 the ideal flexible solution for unattended contactless transactions. In addition to the standard interfaces is the P65 also equipped with additional input /output interfaces enabling the control of peripheral devices such as turnstiles, doors, loops, servo motors etc.

The P65 is designed to operate in low power mode to support vending machines running on Solar or battery Power.

The proven combination of a secure "remote" firmware download mechanism and a terminal management system enables a cost efficient and future proof solution with complete control of the readers at all time, without the need for local servicing.

The P65 also comes with 3 SAM modules enabling secure and advanced connections ensuring the highest level of security in each transaction whether payment, loyalty or transit schemes. The P65 supports all tokens that are compliant with ISO 14443 type A, B and MIFARE whether they mobile phones, credit cards, key fobs, smart stickers etc.

The robust and user friendly design is easy to integrate in a wide

ABOUT PAYTER

Payter is expert, pioneer and forerunner in the field of contactless technology and Near Field Communication. Starting in 2007 with the largest pilot in Europe in the field of contactless, mobile payments and mobile marketing, Payter got international fame and recognition. Since then, Payter is supplying innovative NFC technology to companies around the world providing sustainable, safe, efficient and future-proof solutions.

Payter BV is also your ideal partner in developing, integrating and implementing new products and solutions based upon innovative technology.

variety of vending machines and can be used as plug and play replacement of the most commonly available Smart Card readers. The P65 comes with an optional Blue back lighted LCD, LEDs, buzzer and a button to support an intuitive and comprehensive user interaction.





Versatile future proof solution - Contactless and SMS

The advanced GPRS and Ethernet interfaces of the P65 Vending unit enables the reader to process both contactless as well as SMS Payment requests. This option ensures an immediate possible user group using text messages and at the same time supports contactless/NFC payments which will be supported by the next generation mobile phones.

A demonstration of an integrated reader with SMS and contactless solution using an external antenna can be seen at: http://www.youtube.com/watch?v=qjJ9x_r63rs



Options

The P65 is the ideal solution for integrating contactless technology into your products and it can be easily integrated into the parking equipment, columns, charging stations, meters etc. The P65 vending unit can be delivered in various configurations to provide maximum flexibility. When space for integrating the reader is limited, the P65 can be supplied with a separate antenna, which is to be placed at a maximum distance of 1 meter. This saves you valuable space in the front.

With LCD and optional button



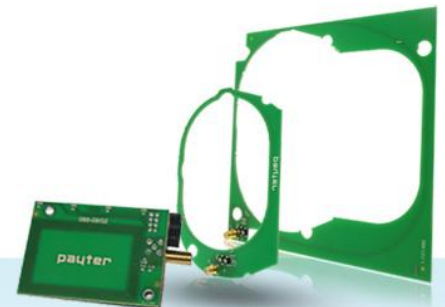
Standard



Basic



The reader can be supplied with a separate antenna with LEDs for easy mechanical integration.





P65 SPECIFICATIONS:

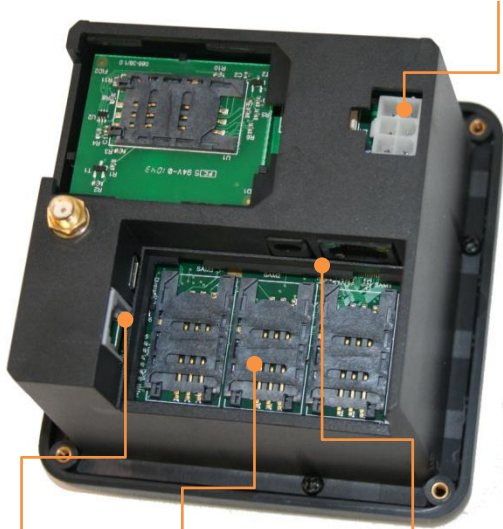
MIFARE is a registered trademark of NXP Semiconductors B.V.
 *Technical data provided here is subject to changes without notice

GSM/GPRS Modem with integrated SIM module



External GSM Antenna connection

MDB Connection



Serial & USB Connection

3 SAM modules

Power & TCP/IP Connection

Contactless Interface

Mifare® classic protocol
 ISO14443 type A & B (T=CL) Working frequency 13.56Mhz
 ISO 18092: Support NFC Protocol

Operating Distance CPU

Depending on the token up to 10 cm from Reader
 Arm 7 Processor

Memory

16 MB SDRam (extendable up to 1 GB)
 16 MB FLASH memory (extendable to 64 MB)
 Internal memory 64 KB

Host Interface

RS232 (Communication speed: up to 115200 bps)
 TCP/IP

GPRS/GSM unit (optional)

Full speed USB (optional)

MDB

Communication Speed

Baudrate up to 848 kbps

SAM Card Interface

3 SAM Slots

Compliant with ISO7816-3 T=0 and T=1 protocol

Human Interface

4 LEDs

Buzzer

1 Button

128x32 dot matrix graphical LCD with back light (optional)

Dimension

Front unit 105 x105 x73 mm

Location dimensions 91 x 91 mm

Color

Black

Compliances

CE

RoHS / WEEE

Power Cable

Length 1.5 Meter shielded

Power

Input: AC110V/220V

Input: 12-24V

Environmental

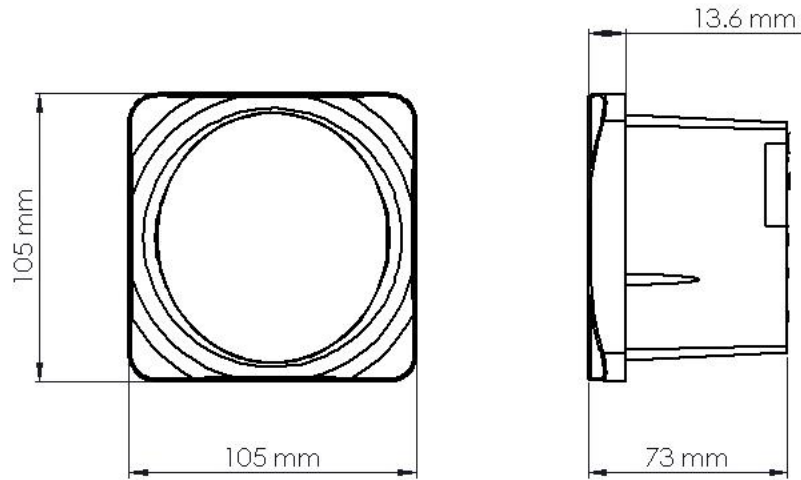
Operating Temperature -10C ~ 50°C

Storage temperature: -15 C ~ 70 C

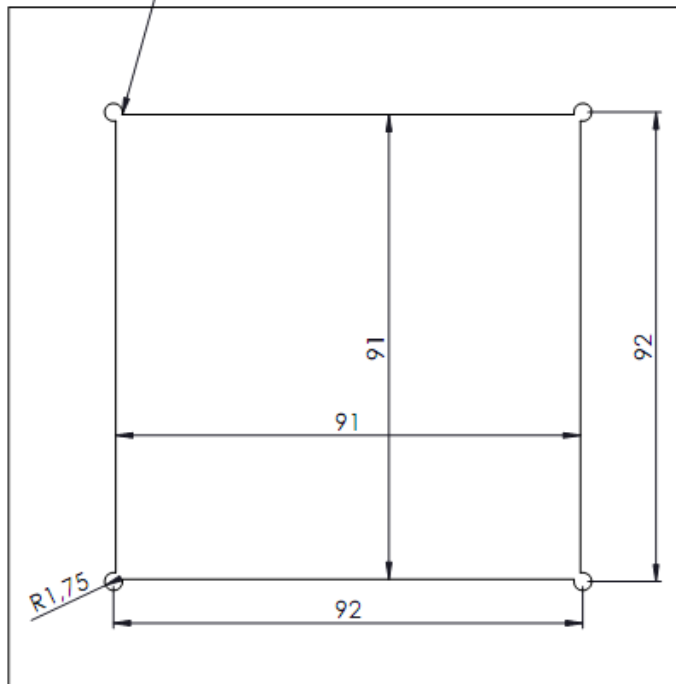
ALL INFORMATION CONTAINED IN THIS DOCUMENT IS PROVIDED "AS IS"; PAYTER ASSUMES NO RESPONSIBILITY FOR ITS ACCURACY AND/OR COMPLETENESS,
 ©Payter2009, All other trademarks are trademarks of their respective owners.



P65 DIMENSIONS:



A fillet can be applied at the corners if preferred



Note:

An additional plate can be delivered to mount the reader according to the EVA Mounting specification.



Cutout dimensions required in a vending machine for integration with the P65 Contactless Vending Unit

ALL INFORMATION CONTAINED IN THIS DOCUMENT IS PROVIDED "AS IS"; PAYTER ASSUMES NO RESPONSIBILITY FOR ITS ACCURACY AND/OR COMPLETENESS, ©Payter2009, All other trademarks are trademarks of their respective owners.

Beukelsdijk 107
3021 AE Rotterdam
The Netherlands
T. + 31 (0) 10 478 29 29
F. + 31 (0) 10 425 52 28

WWW.PAYTER.COM
Info@payter.nl